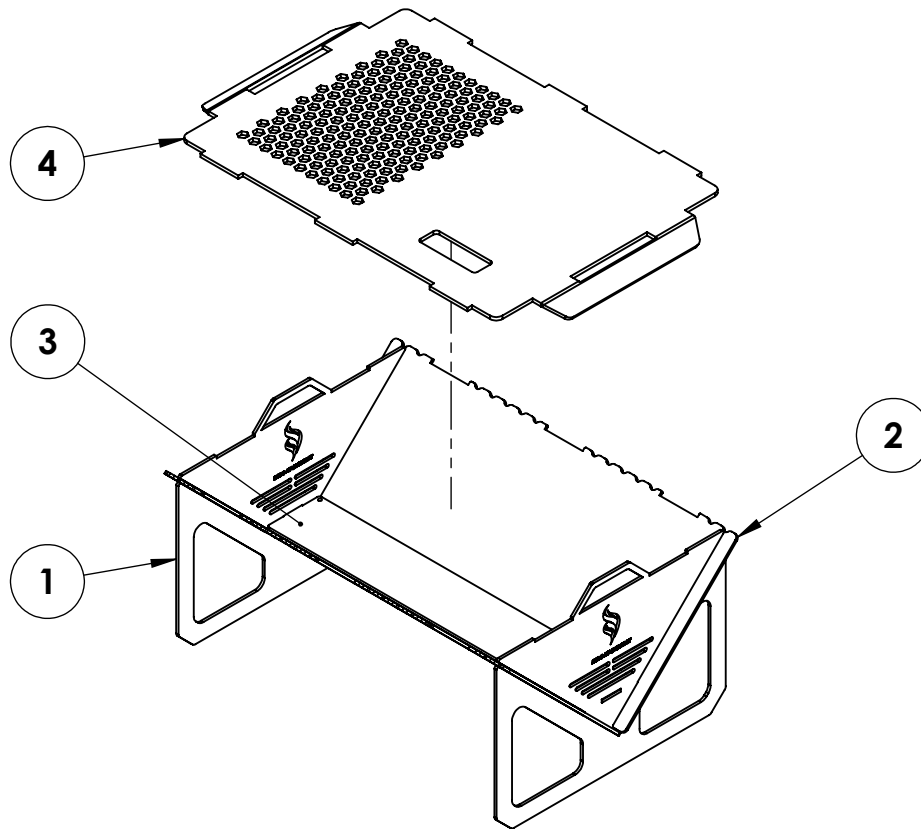


ITEM NO.	PART NUMBER	Weight	QTY.
1	Portable Fire Box - Face Plate	1.98 kilograms	2
3	Portable Fire Box - Mid plate	0.67 kilograms	1
2	Portable Fire Box - Side Walls	4.4 kilograms	2
4	Portable Fire Box - Hot Plate	3.77 kilograms	1



Setup Instructions

1. Ensure you have all parts within arms reach before setup. Grab both pieces of the Face Plate (part 1) & one of the Side Panels (part 2). Align and slide the side panels into both ends.
2. Angle the Mid Plate (Part 3) Horizontally and ensure they lock into both faceplates in the lower Rectangular slot. Slide the remaining Side Panel in making sure to slide past Mid Plate.
3. Now everything is together and you have a functional fire pit. The Top Hot Plate is not necessary for functional use and the Adventure Pit can be used without one.

WARNING

PLEASE CHECK LOCAL LAWS AND PERMITS BEFORE USING OPEN FIRES. CHECK BEFORE YOU LIGHT AND BE RESPONSIBLE.

ALTHOUGH THIS PRODUCT IS MADE OF THICK STEEL, NEVER OVER STOKE THE FIRE PIT AS THIS IS DANGEROUS AND CAN CAUSE DAMAGE TO THE PIT.

WE ARE NOT RESPONSIBLE FOR IMPROPER USE.

DO NOT MOVE OR TAMPER WITH THE FIRE PIT WHEN ITS IN USE AS THE METAL WILL BECOME HOT. IT WILL STAY HOT EVEN FOR AN EXTENDED PERIOD OF TIME EVEN AFTER FIRE HAS GONE OUT.

CHECK OUT THE FOLLOWING LINK FOR FIRE SAFETY: <https://fireandemergency.nz/outdoor-and-rural-fire-safety/>